



X

LOFT[®]

Room to Deliver:
Post Room Design Challenge

Entry Form

Room to Deliver: Post Room Design Challenge – Entry Form

Name:

University/Institution:

Course of Study:

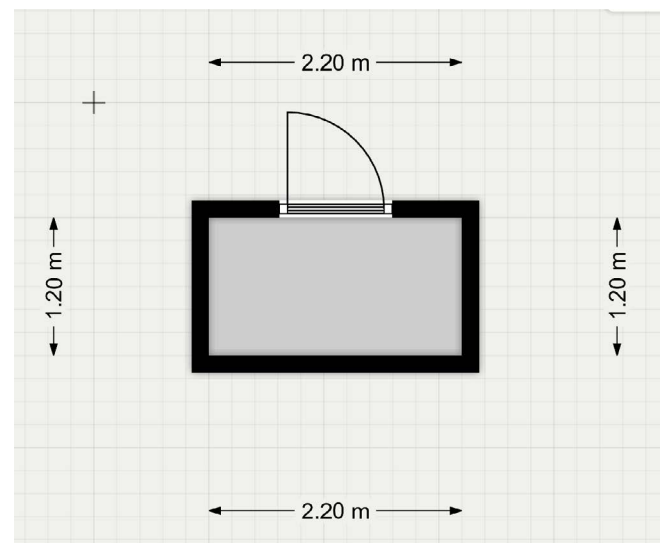
Contact Email:

Phone Number:

THE BRIEF:

Design a **2.20m x 1.20m** parcel room considering the below key criteria to seamlessly blend functionality with aesthetic appeal:

- **Accessibility:** Ensure the room is accessible for all.
- **Aesthetics:** Design and reimagine the post room creating a visually appealing and inviting environment.
- **Functionality:** Incorporate practical storage solutions while maintaining efficiency. Ensure rooms security technology and surveillance is not compromised.
- **Resident Experience:** Consider the resident's interaction with the space, aiming to provide a pleasant and memorable experience.
- **Sustainability:** Use sustainable materials and eco-friendly design practices where possible.



DESIGN SUBMISSION:

1. Design Proposal

(Please provide detailed drawings, a floorplan and/or 3D visualizations)

- Attach your design files or sketches (maximum file size: 20 MB)
- A template is provided of the space

2. Rationale

(Briefly explain your design choices, materials used, and how the design enhances the resident experience):

(Maximum 500 words)

SUBMISSION CHECKLIST:

(please tick applicable)

1. Design Proposal

2. Rationale

CONSENT:

By submitting this form, I certify that the design is my original work and that I have read and agreed to the competition's terms and conditions.

Please visit parcelsafeplace.com/competition to read terms and conditions in full.

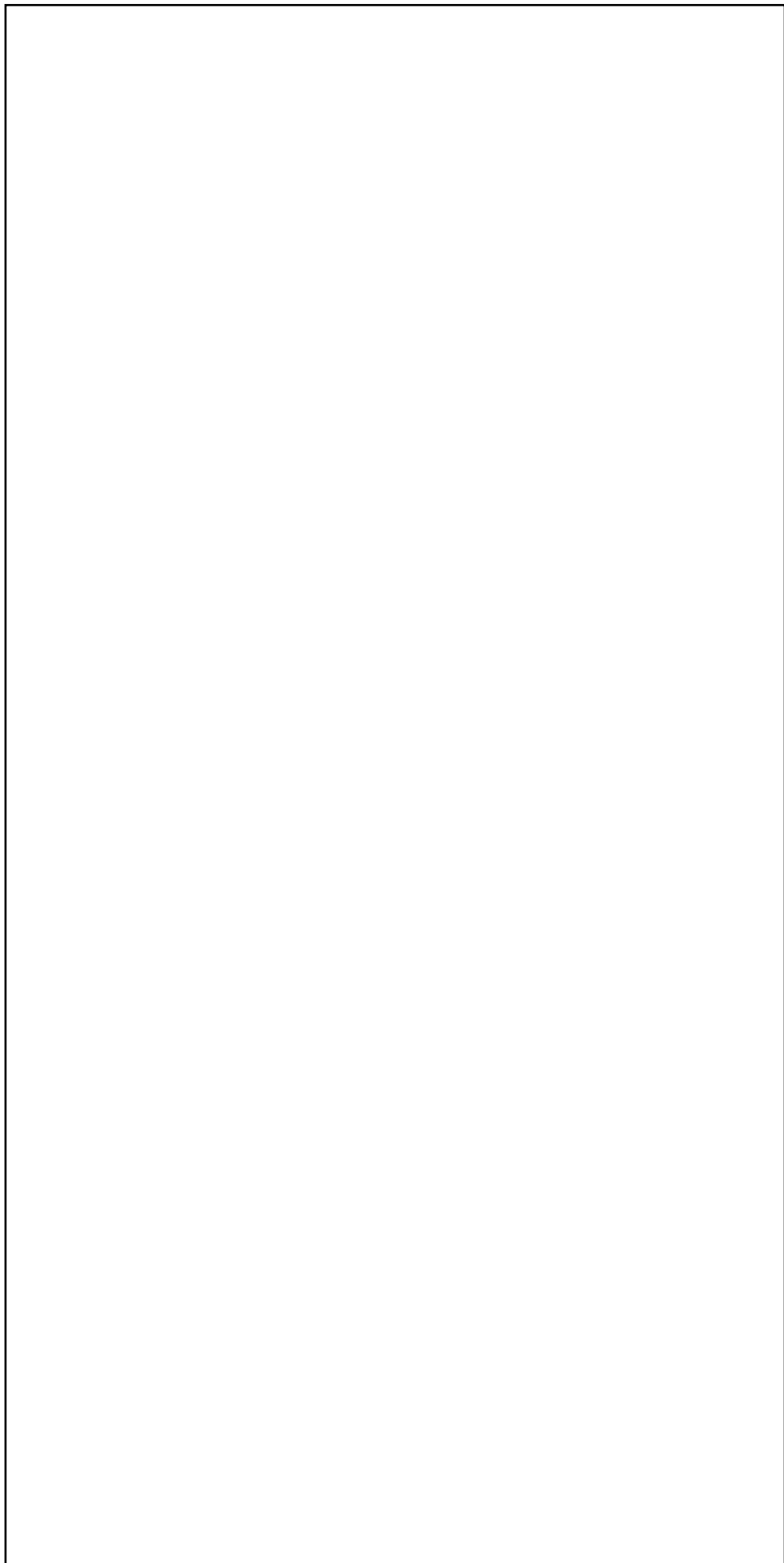
Submit completed entry form and attachments by January 24th, 2025, to:

Email: competitions@parcelsafeplace.com

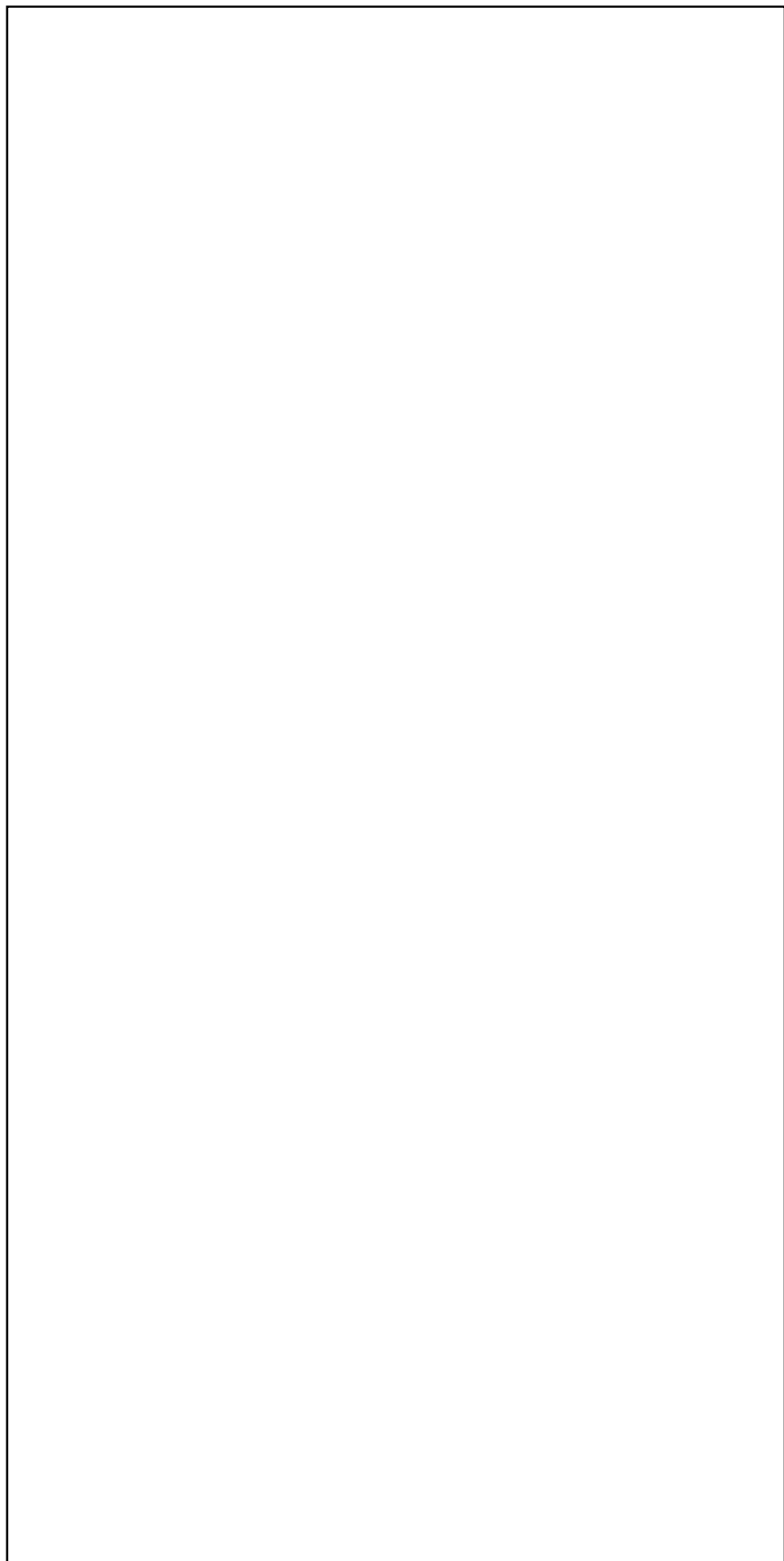
Subject: Room to Deliver Design Entry

Good luck!

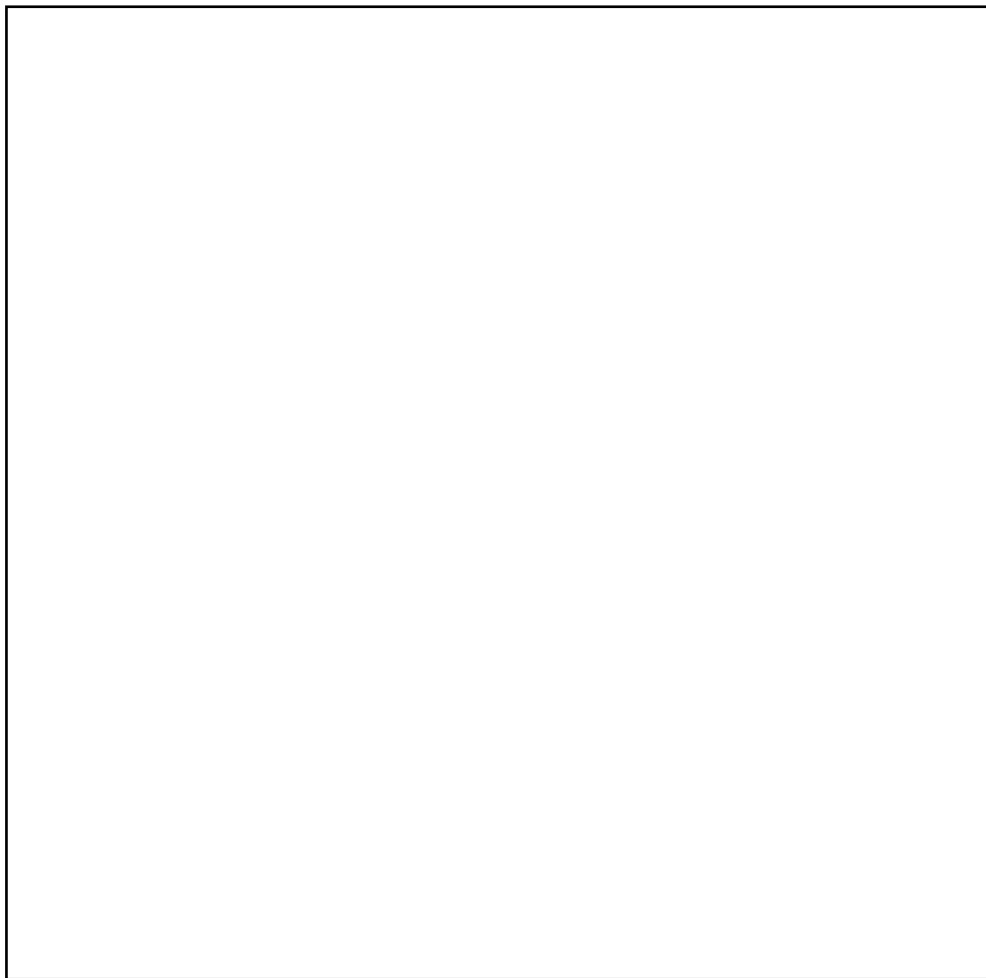
WALL 1



WALL 2



WALL 3



WALL 4

